



EC127 FG

Modular Belt Series

• Bakery Applications

Divider, Oven Infeed - Outfeed, Cooling Lines, Coating Lines, Glazing Lines

• Poultry Applications

Breeding Lines and Grading Lines

• Seafood Applications

Breeding Lines, Grading Lines and Weighing Lines

• Snack Food Applications

Cooling Lines

• Fruits and Vegetables Applications

Draining, Sterilization, Conveyance

• Packaging Applications

Check Weighers, Filling, Palletizing - Depalletizing, Box Transfer



EC127 FG

Pitch:	12.7 mm
Belt Surface:	Open, Smooth Surface
Minimum Width:	100 mm
Open Area (%):	%20. (Biggest opening 3x6 mm)
Flight:	Yes (T25, T50)
Sidewall:	No
Rod:	Ø4.6 mm
Approved:	FDA and EU
Curve:	No
Color:	Additional colors available
Cleanability:	Excellent
Belt Thickness:	10 mm



Product Features and Functional Benefits

- Belt provides optimal open area for drainage and airflow.
- Less friction and product contact for easy cooking, cooling and freezing of products.
- Reduced dirt and oxide build due to self cleaning surface.

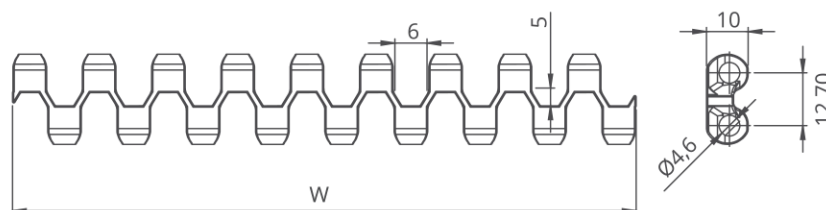
EC127 FG / Technical Information

BELT MATERIAL	BELT STRENGTH				TEMPERATURE		BELT WEIGHT
	Straight		Curve		C (min.)	C (max.)	Kg/m ²
	Kg/m	N/m	Kg/m	N/m			
Polypropylene	858	8580	-	-	+5	+90	4.20
Polyethylene	780	7800	-	-	-73	+66	4.80
Acetal	1274	12740	-	-	-43	+110	6.20

- Belt strength and temperature values are maximum on the table.

EC127 FG / Standard Belt Widths

BELT SERIES	WIDTH (W)				Belt With Tolerance (max.)
	PP-PE		POM		
	mm	inch	mm	inch	
EC127 FG	150	5,9	150	5,9	± 1 mm
EC127 FG	200	7,87	200	7,87	± 1 mm
EC127 FG	250	9,84	250	9,84	± 2 mm
EC127 FG	300	11,81	300	11,81	± 2 mm
EC127 FG	350	13,77	350	13,77	± 2 mm
EC127 FG	400	15,75	400	15,75	± 2 mm
EC127 FG	450	17,71	450	17,71	± 2 mm
EC127 FG	500	19,69	500	19,69	± 2 mm
EC127 FG	550	21,65	550	21,65	± 2 mm
EC127 FG	600	23,62	600	23,62	± 3 mm
EC127 FG	650	25,60	650	25,60	± 3 mm
EC127 FG	700	27,56	700	27,56	± 3 mm
EC127 FG	750	29,50	750	29,50	± 3 mm
EC127 FG	800	31,50	800	31,50	± 3 mm
EC127 FG	850	33,46	850	33,46	± 4 mm
EC127 FG	900	35,43	900	35,43	± 4 mm



- Standard belt increments 50 mm.
- Non standard belt increments 16,6 mm.
- Please contact with customer service for precise belt measurements.

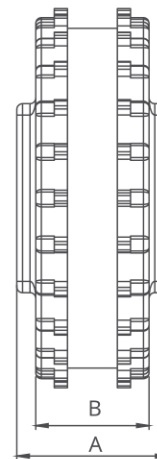
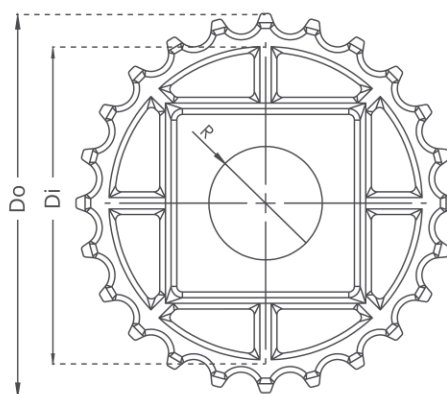
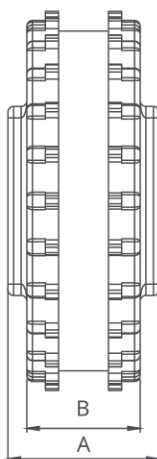
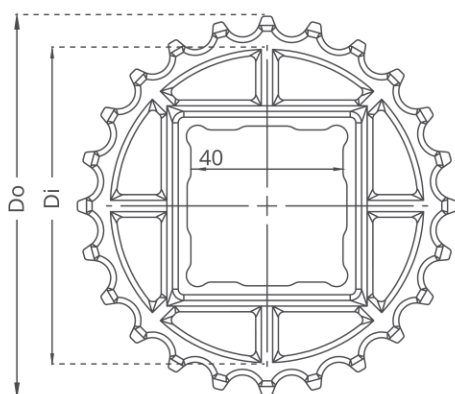
EC127 Series Sprockets and Technical Specifications



Z24



Z24



EC127 Series / Standard Sprockets Dimensions

NO. TEETH	Di	Do	B	A	Square Bore (Q)	Round Bore (R)	PRODUCT CODE	
							Square Type (Q)	Round Type (R)
Z20	72.5 mm	81.0 mm	4.6 mm	30.3 mm	40.0 mm	25.0 / 30.0	EC127SQZ20*PA	EC127SRZ20*PA
Z24	87.0 mm	98.0 mm	4.6 mm	30.3 mm	40.0 mm	25.0 / 30.0	EC127SQZ24*PA	EC127SRZ24*PA
Z30	114.0 mm	122.0 mm	4.6 mm	30.3 mm	40.0 mm	25.0 / 30.0	EC127SQZ30*PA	EC127SRZ30*PA
Z36	144.0 mm	149.0 mm	4.6 mm	30.3 mm	40.0 mm	25.0 / 30.0	EC127SQZ36*PA	EC127SRZ36*PA

*Other sprockets and hub sizes are manufactured up to request.

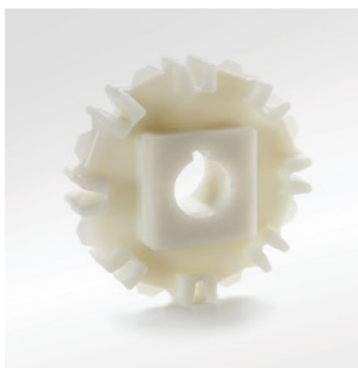
*POM (Acetal) and PP (Polypropylene) sprockets raw material is available on request.



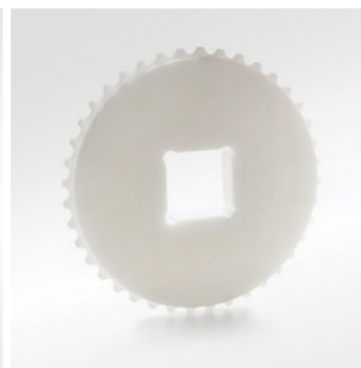
Clamb



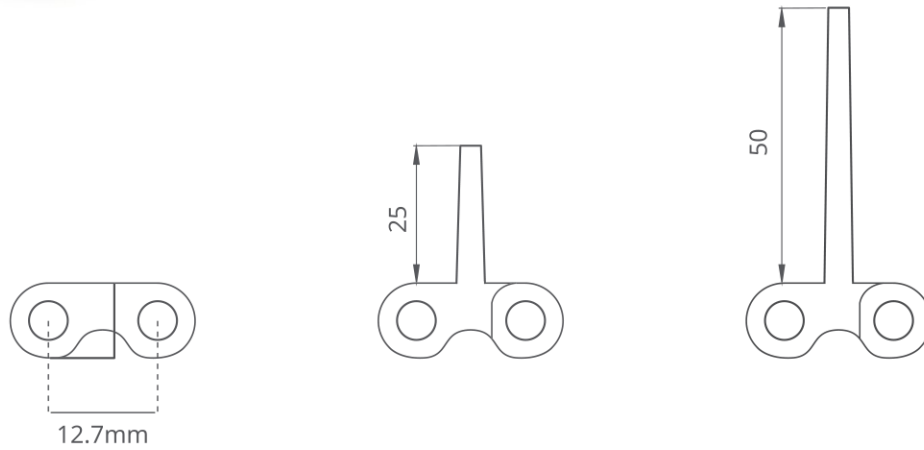
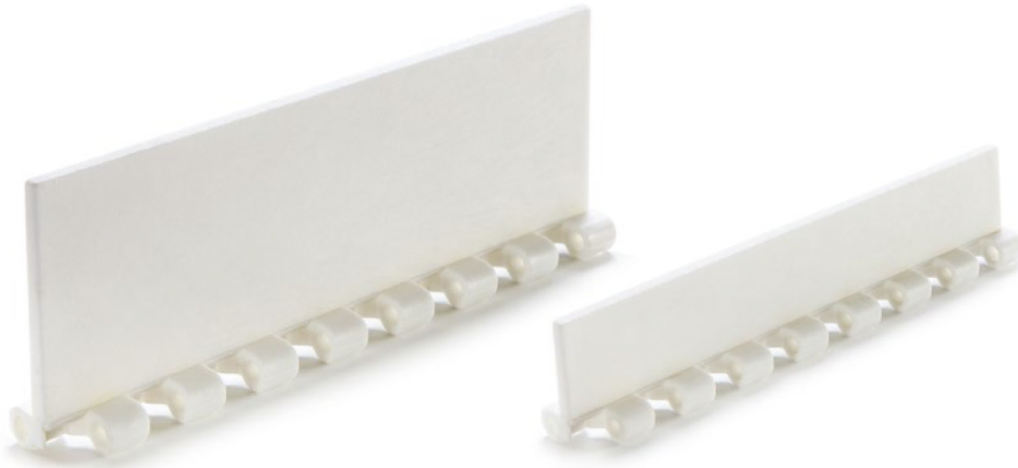
Machined Split Sprocket



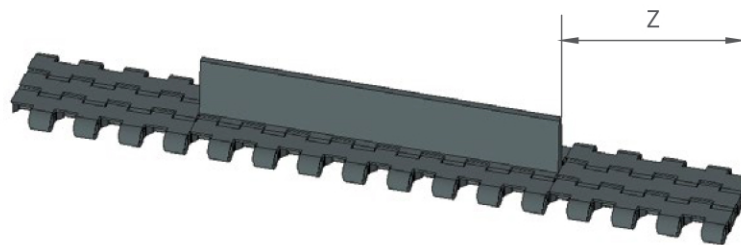
Moulded Sprocket



Machined Sprocket



* Additional flight dimensions are available up to 50 mm.

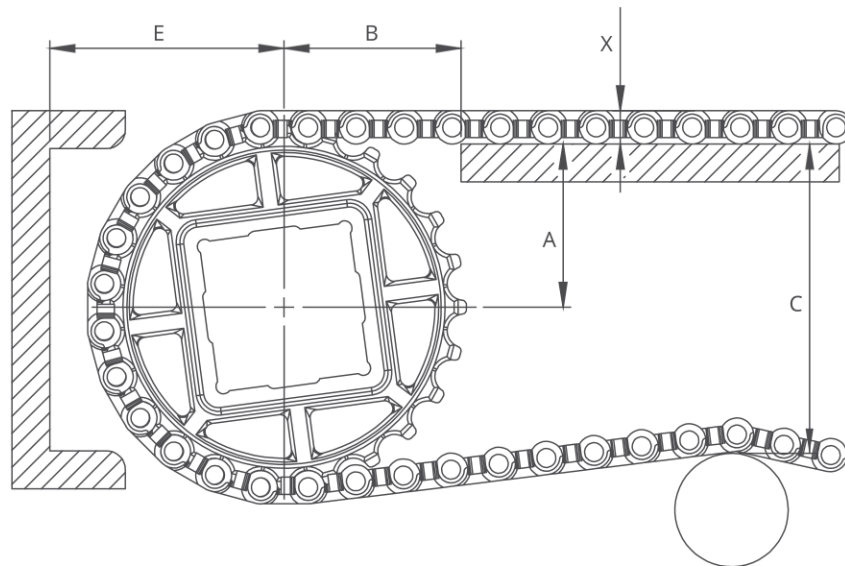


EC127 Series / Flight Technical Specifications

Possible Flight Indents for 12,7 mm Series	Z	
	(mm)	(inch)
Standart, no module cutting	33,3	0,75
Standart, no module cutting	50	1,50
Standart, no module cutting	66,6	2,24
Standart, no module cutting	83,3	2,99
Standart, no module cutting	100	2,95

*Non-standard flight indent is on request.

EC127 Series *Engineering Information*

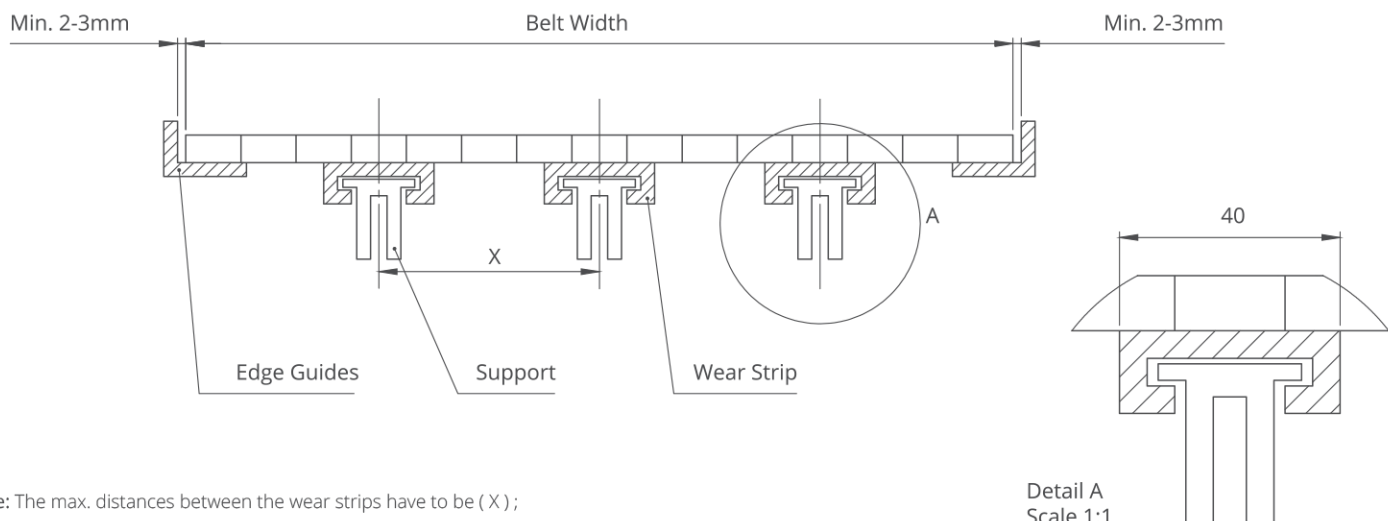


A - $\pm 0,031''$ (1mm) C - \pm (Max.)
 B - $\pm 0,125''$ (3mm) E - \pm (Min.)

EC127 Series / Conveyor Frame Dimensions

Sprockets Description			A		B		C		E		X	
Pitch Diameter		No.Teeth	Range (Bottom to Top)		In.	mm	In.	mm	In.	mm	In.	mm
In.	mm		In.	mm								
EC127 C, EC127 FG												
3,07	78	20	1,42	36	1,67	42,5	2,80	71	2,20	56	0,39	10
3,66	93	24	1,73	44	1,85	47	3,27	83	2,52	64	0,39	10
4,65	118	30	2,20	56	2,11	53,5	4,06	103	2,99	76	0,39	10

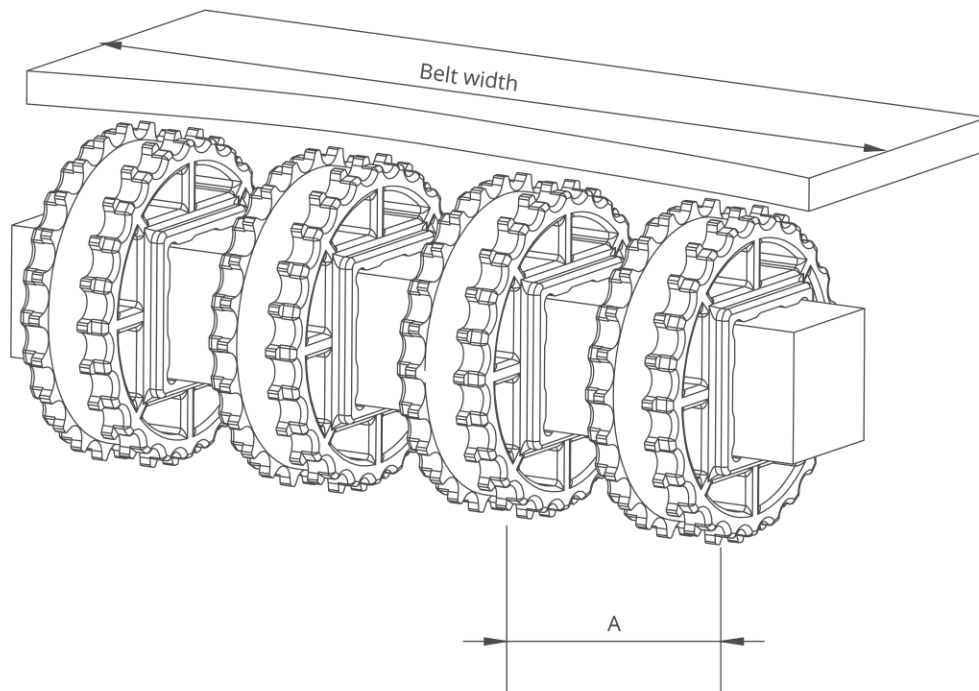
EC127 Series / Slider Support System For Straight Running Belts



Note: The max. distances between the wear strips have to be (X) ;

125 mm for 2" belts
 80 mm for 1" / 0.5" belts

Detail A
 Scale 1:1



EC127 Series / Sprockets Arrangement

Standard Belt Width		Number of sprockets per shaft		A (mm/inch)	
mm	inch	Drive Shaft	Return Shaft	Min.	Max.
150	5,91	2	2	50/2	100/4
200	7,87	3	2	50/2	100/4
250	9,84	3	2	50/2	100/4
300	11,81	4	3	50/2	100/4
350	13,78	4	3	50/2	100/4
400	15,75	5	3	50/2	100/4
450	17,72	5	3	50/2	100/4
500	19,69	6	4	50/2	100/4
550	21,65	7	4	50/2	100/4
600	23,62	7	4	50/2	100/4
650	25,59	7	4	50/2	100/4
700	27,56	8	5	50/2	100/4
750	29,53	9	6	50/2	100/4
800	31,50	9	6	50/2	100/4
850	33,46	10	7	50/2	100/4
900	35,43	11	7	50/2	100/4
950	37,40	11	7	50/2	100/4
1000	39,37	11	7	50/2	100/4
1050	41,34	11	7	50/2	100/4
1100	43,31	12	7	50/2	100/4
1150	45,28	12	7	50/2	100/4
1200	47,24	12	7	50/2	100/4
1250	49,21	13	8	50/2	100/4
1300	51,18	13	8	50/2	100/4
1350	53,15	13	8	50/2	100/4
1400	55,12	14	8	50/2	100/4